

**NOTICE!!**

**These documents have been scanned!**

**Do not place un-scanned documents beneath this notice!**

**Do not remove this notice from this file!**

GPO Jacket No. 560-102  
Print Order 61540  
Rise Business Services, LLC  
Job=AZ15 7/11/2019

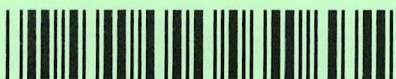


Box Number= AZ15154



Claim Begin-End: AMC452279-AMC452279

**1 Initial Receipt**




AZ15154-38

AMC451761-AMC452292

**United States Department of the Interior**  
**Bureau of Land Management**  
 DIV OF LANDS, MINRLS & ENERGY  
 ONE N CENTRAL AVE  
 PHOENIX, AZ 85004 -4427  
 Phone: 602-417-9200

Receipt

No: 4266729

<b>Transaction #:</b> 4382441	
<b>Date of Transaction:</b> 09/20/2018	
CUSTOMER:	
MATTHEW CANEVARI 4360 N ALPINE RD STOCKTON, CA 95215-9109 US	 BY: <u>RAM</u>

LINE #	QTY	DESCRIPTION	REMARKS	UNIT PRICE	TOTAL
1	1.00	LOCATABLE MINERALS / MINING CLAIMS-NEW, UNADJUD, ONE OR MORE AUTH NOS / NEW MINING CLAIM PROCESSING FEE <b>CASES: AMC452279/\$20.00</b>		- n/a -	20.00
2	1.00	LOCATABLE MINERALS / MINING CLAIMS-NEW, UNADJUD, ONE OR MORE AUTH NOS / NEW MINING CLAIMS LOCATION FEE <b>CASES: AMC452279/\$37.00</b>		- n/a -	37.00
3	1.00	LOCATABLE MINERALS / MINING CLAIMS-NEW, UNADJUD, ONE OR MORE AUTH NOS / NEW MINING CLAIMS MAINTENANCE FEE <b>CASES: AMC452279/\$155.00</b>		- n/a -	155.00
4	1.00	LOCATABLE MINERALS / MINING CLAIMS-NOT NEW-UNADJUD, ONE AUTH NO. ONLY / MINING CLAIM MONEY RECEIVED <b>CASES: AMC452279/\$155.00</b>	MAINT FEES FOR 2018 LOCATION (BRIDGE CLAIM)	- n/a -	155.00
<b>TOTAL:</b>					<b>\$367.00</b>

PAYMENT INFORMATION				
NOTE: Items will appear on credit card statement as "Bureau of Land Mgmt CO".				
1	AMOUNT:	367.00	POSTMARKED:	N/A
	TYPE:	CREDIT CARD	RECEIVED:	09/20/2018
	NAME:	CANEVARI, MATTHEW 4360 N ALPINE RD		

	STOCKTON CA 95215-9109 US		
CARD NO:	XXXXXXXXXXXX9026	AUTH CODE:	180375
NAME ON CARD:	MATTHEW A CANEVARI		
SIGNATURE:			

REMARKS

This receipt was generated by the automated BLM Collections and Billing System and is a paper representation of a portion of the official electronic record contained therein.

**NOTICE!!**

**These documents have been scanned!**

**Do not place un-scanned documents beneath this notice!**

**Do not remove this notice from this file!**

GPO Jacket No. 560-102  
Print Order 61540  
Rise Business Services, LLC  
Job=AZ15 7/11/2019



Box Number= AZ15154



Claim Begin-End: AMC452279-AMC452279

**2 Correspondence**



AZ15154-38

AMC451761-AMC452292

**NO  
DOCUMENTS  
FOUND**

NO DOCUMENTS FOUND  
NO DOCUMENTS FOUND

**NOTICE!!**

**These documents have been scanned!**

**Do not place un-scanned documents beneath this notice!**

**Do not remove this notice from this file!**

GPO Jacket No. 560-102  
Print Order 61540  
Rise Business Services, LLC  
Job=AZ15 7/11/2019



Box Number= AZ15154



Claim Begin-End: AMC452279-AMC452279

**3 Transfers**



AZ15154-38

AMC451761-AMC452292

**NO  
DOCUMENTS  
FOUND**

NO DOCUMENTS FOUND  
NO DOCUMENTS FOUND

**NOTICE!!**

**These documents have been scanned!**

**Do not place un-scanned documents beneath this notice!**

**Do not remove this notice from this file!**

GPO Jacket No. 560-102  
Print Order 61540  
Rise Business Services, LLC  
Job=AZ15 7/11/2019



Box Number= AZ15154



Claim Begin-End: AMC452279-AMC452279

**4 Annual Filings**



AZ15154-38

AMC451761-AMC452292



**NO  
DOCUMENTS  
FOUND**

NO DOCUMENTS FOUND  
NO DOCUMENTS FOUND

**NOTICE!!**

**These documents have been scanned!**

**Do not place un-scanned documents beneath this notice!**

**Do not remove this notice from this file!**

GPO Jacket No. 560-102  
Print Order 61540  
Rise Business Services, LLC  
Job=AZ15 7/11/2019



Box Number= AZ15154



Claim Begin-End: AMC452279-AMC452279

**5 Miscellaneous**



AZ15154-38

AMC451761-AMC452292

**NO  
DOCUMENTS  
FOUND**

NO DOCUMENTS FOUND  
NO DOCUMENTS FOUND

**NOTICE!!**

**These documents have been scanned!**

**Do not place un-scanned documents beneath this notice!**

**Do not remove this notice from this file!**

GPO Jacket No. 560-102  
Print Order 61540  
Rise Business Services, LLC  
Job=AZ15 7/11/2019



Box Number= AZ15154



Claim Begin-End: AMC452279-AMC452279

**6 Location Notices-Amendments and Supporting Documents**



AZ15154-38

AMC451761-AMC452292

# MINING CLAIM STATUS REPORT

Data Entered: 9/27/18 Ram

MTP Checked By: EL

GEO Checked By: EL

LEAD SERIAL NUMBER: AMC 452279 thru AMC         

### NUMBER OF CLAIMS & TYPE:

LODE  
 PLACER  
 ASSOCIATION PLACER  
 MILL SITE  
 TUNNEL SITE

### CHARGES:

Processing Fee @ \$20 = \$ 20  
 Location Fee @ \$37 = \$ 37  
 Maintenance Fee @ \$155 = \$ 155  
 Add'l Maint Fee for Assoc Placer = \$           
**SUBTOTAL** \$ 212  
Bridge Claim Other Fees \$ 155  
 Other Fees \$           
**TOTAL** \$ 367

TOTAL ACREAGE: 20 Per Claim  
(Placer Only)

NUMBER OF LOCATORS: 1

DOCUMENTS RECEIVED VIA: Over-the-Counter  Mail  TIMELY FILED: Yes  No

LEGAL DESCRIPTION: T 5N R 9W SEC 34  
 T          R          SEC           
 T          R          SEC           
 T          R          SEC           
 T          R          SEC         

BLM  FOREST SERVICE  SUBJ TO PL 359: Yes  No   
WILDERNESS AREA

SPLIT ESTATE: N/A  SX  PX  OTHER   
SRHA  Was proper Notice filed if located on SHRA Land? Yes  No

### RECONVEYED MINERALS ON BLM LAND REQUIRE OPENING ORDER FROM 1944 TO 1993:

Open to Entry On          N/A

COMMENTS/STATUS: VOID  PARTIALLY VOID  PVT MINERALS  WITHDRAWN LANDS   
OTHER

Claimant acknowledges that portions of the following claim(s) site(s) may be void or voidable.

Printed Name of Claimant          Signature of Claimant         

\*\*\*\*\*FINAL ADJUDICATION\*\*\*\*\*

DATE          INITIALS         

AMC 452279

LOCATION NOTICE FOR PLACER MINING CLAIM

Amendment BLM Serial # \_\_\_\_\_

NOTICE IS HEREBY GIVEN that the BIG CLOUD

\_\_\_\_\_ placer mining claim has been located by

MATTHEW CAVEVARI whose current mailing

address is 4360 N. Alpine Rd

Stockton, CA 95215

RECEIVED  
BLM AZ STATE OFFICE  
2018 SEP 20 P 12:53  
PHOENIX, ARIZONA  
BLM  
Date  
Stamp

The general course of this claim is East west and it is situated in Maricopa

County, Arizona. This claim is 660 feet in length and 1320 feet in width.

20 Total Claim Acreage. This claim runs from the location monument on which this location notice is

posted at the SE corner of the claim approximately 1320 feet in a west direction to the

WEST end line and 660 feet in a North direction to the North end line. This claim is

marked by four monuments, one at each corner of the claim.

The location monument on which this notice is posted is situated within Section 34, Township

9 S N, Range 9 W, Gila Salt River Base and Meridian, Arizona. This claim encompasses

portions of the following legal subdivision(s) if located by legal subdivision or the following quarter section(s),

section(s), Township(s) and Range(s) \_\_\_\_\_

\_\_\_\_\_, Gila Salt River Base and Meridian, Arizona.

The locality of this claim with reference to some natural object or permanent monument and additional information

(if any) concerning its locality are as follows: 0.33 miles NW of

Little Horn Peak, and 0.25 miles N of

Little Horn well. The above information is shown on the attached map.

DATED AND POSTED on the ground this 18<sup>th</sup> day of August, 20 18.

LOCATOR(s)  AGENT

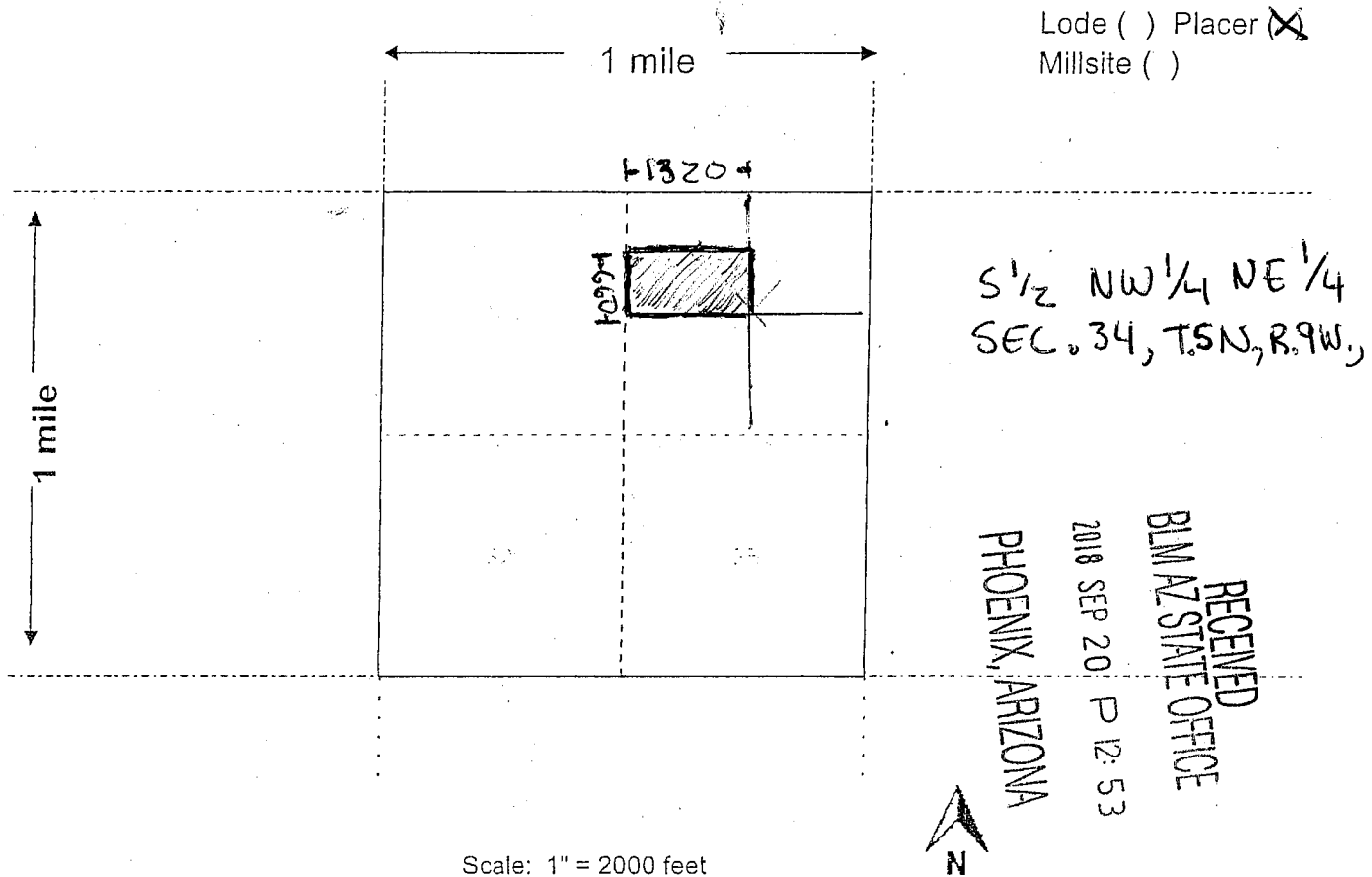
Print Name(s) Matthew A. Cavevari

Signature(s) [Handwritten Signature]

Form MCF102  
Revised July 2014

ANC452279

MINING CLAIM MAP



Scale: 1" = 2000 feet

1. The above map depicts the BIG CLOUD mining claim, which is located in Section (s) 34, Township 5 N, Range 9 W, Gila and Salt River Base and Meridian, Maricopa County, Arizona. Total claim acreage is \_\_\_\_\_
2. The type of corner and location monuments used are as follows: wood stakes, and stone mounds.
3. The bearings and distances in degrees and feet between claim corners and to a public land survey monument are as depicted on the map.
4. If the claim is a placer or millsite claim with exterior limits conforming to legal subdivisions of the public survey, provide a legal description of the claim \_\_\_\_\_

AMC452279

Form MCF100a  
Revised July 2014

**Date and Time Run:**  
9/20/2018 1:37:27 PM

Page 1 of 1

**DEPARTMENT OF THE INTERIOR  
BUREAU OF LAND MANAGEMENT  
Case Recordation**

**Geographic Report with Land**

Case Suppression Flag is equal to / is in N  
and Meridian Township Range Section is equal to 14 0050N 0090W 034  
and Admin State is equal to AZ

**NO WARRANTY IS MADE BY BLM  
FOR USE OF THE DATA FOR  
PURPOSES NOT INTENDED BY BLM**



DEPARTMENT OF THE INTERIOR  
BUREAU OF LAND MANAGEMENT  
Case Recordation  
Geographic Report with Land

Admin State: AZ  
Geo State: AZ  
Serial Number: AZA 016890

Total Case Acres: 8,960.000

Casetype	Case Disp	Mer	Twp	Rng	Sec	Sur Type	Sur Nr	Suf	Subdivision	Pending Action
311211	CLOSED	14	0050N	0090W	034	ALIQ			ALL;	

Admin State: AZ  
Geo State: AZ  
Serial Number: AZA 024642

Total Case Acres: 1.000

Casetype	Case Disp	Mer	Twp	Rng	Sec	Sur Type	Sur Nr	Suf	Subdivision	Pending Action
380913	CLOSED	14	0050N	0090W	034	ALIQ			SW;	

Admin State: AZ  
Geo State: AZ  
Serial Number: AZA 026691

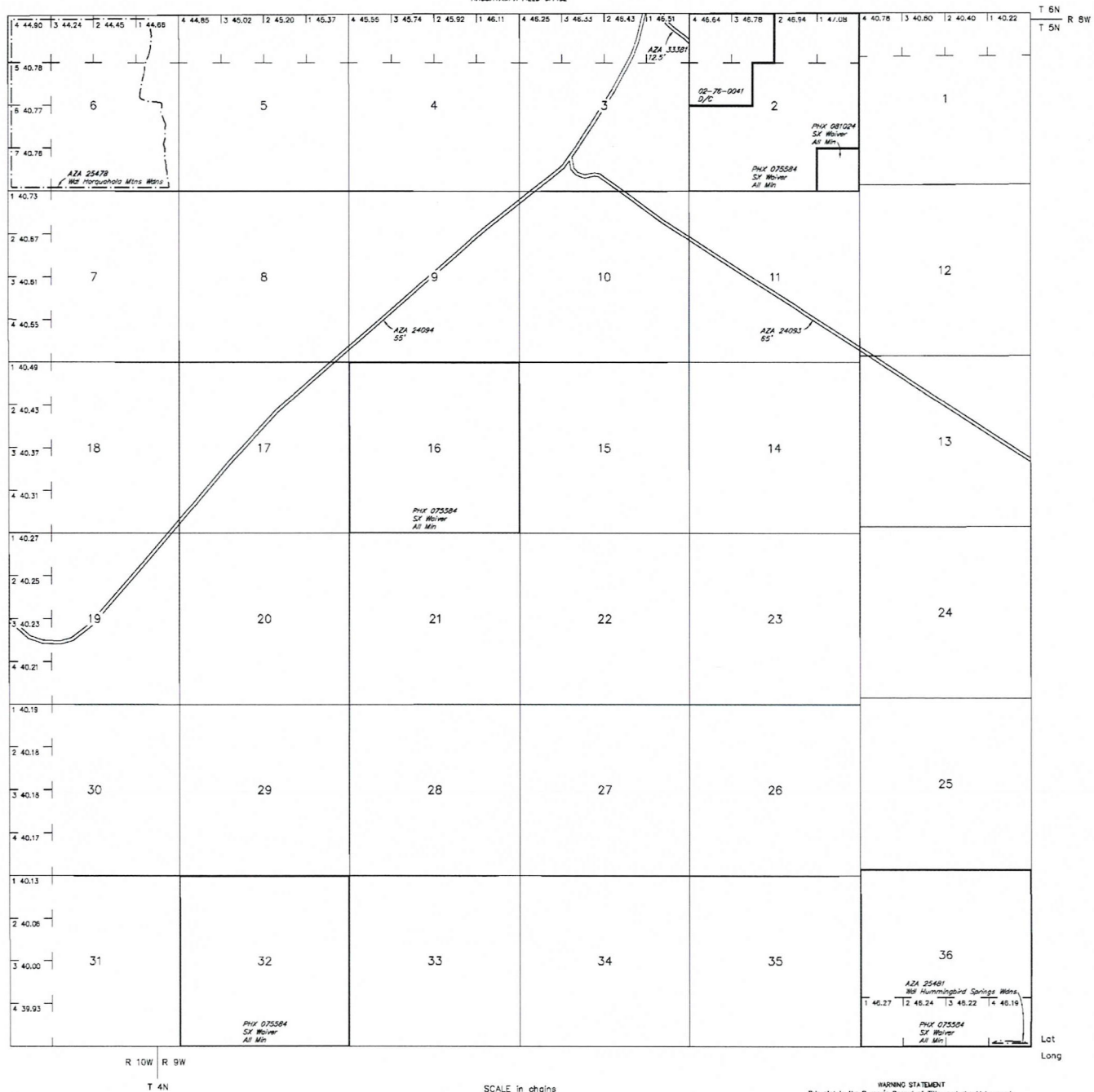
Total Case Acres: 1.000

Casetype	Case Disp	Mer	Twp	Rng	Sec	Sur Type	Sur Nr	Suf	Subdivision	Pending Action
380913	CLOSED	14	0050N	0090W	034	FF		1	PART;	

# TOWNSHIP 5 NORTH RANGE 9 WEST OF THE GILA AND SALT RIVER MERIDIAN, ARIZONA

MARICOPA COUNTY  
HASSAYAMPA FIELD OFFICE

STATUS OF PUBLIC DOMAIN  
LAND AND MINERAL TITLES



RESURVEY TRACT NO	ORIGINAL SURVEY		
	T	R	SUBDIVISION

FOR ORDERS AFFECTING DISPOSAL OR USE OF UNIDENTIFIED LANDS WITHDRAWN FOR CLASSIFICATION, MINERALS, WATER AND/OR OTHER PUBLIC PURPOSES, REFER TO INDEX OF MISCELLANEOUS DOCUMENTS.

Grazing Dist No 2

---



---



---



---



---



---



---



---



---



---



---



---



---



---



---



---



---



---



---



---



---



---



---



---

SCALE in chains  
0 10 20 30 40 50 60

**WARNING STATEMENT**  
This plat is the Bureau's Record of Title, and should be used only as a graphic display of the township survey data. Records hereon do not reflect title changes which may have been effected by lateral movements of rivers or other bodies of water. Refer to the cadastral surveys for official survey information.

CURRENT TO	NW	GSR Mer
12-27-2011	ACAD	T 5 N
		R 9 W